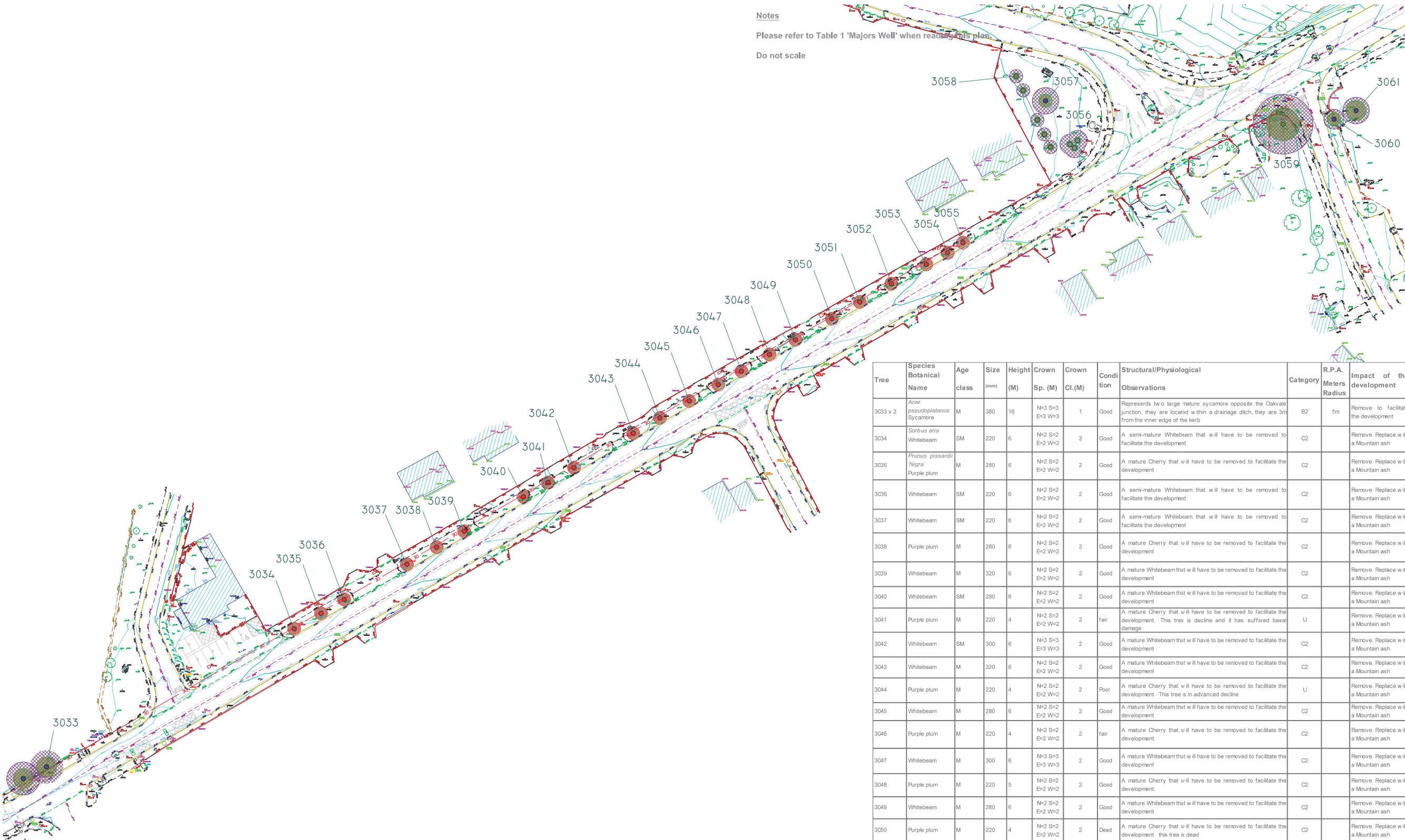


Notes

Please refer to Table 1 'Majors Well' when reading this plan.

Do not scale



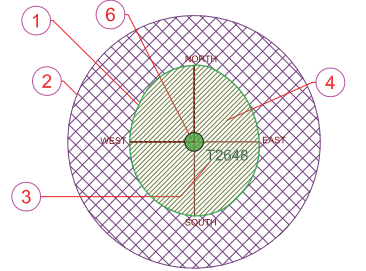
Tree	Species Botanical Name	Age class	Size (mm)	Height (M)	Crown Sp. (M)	Crown Cl. (M)	Condition	Structural/Physiological Observations	Category	R.P.A. Meters Radius	Impact of the development
3033 x 2	<i>Acer pseudoplatanus</i> Sycamore	M	380	16	N=3 S=3 E=3 W=3	1	Good	Represents two large mature sycamore opposite the Oakvale junction, they are located within a drainage ditch, they are 3m from the inner edge of the kerb.	B2	5m	Remove to facilitate the development
3034	<i>Sorbus aria</i> Whitebeam	SM	220	6	N=2 S=2 E=2 W=2	2	Good	A semi-mature Whitebeam that will have to be removed to facilitate the development	C2		Remove. Replace with a Mountain ash
3035	<i>Prunus pissardii</i> Nigra Purple plum	M	280	6	N=2 S=2 E=2 W=2	2	Good	A mature Cherry that will have to be removed to facilitate the development	C2		Remove. Replace with a Mountain ash
3036	Whitebeam	SM	220	6	N=2 S=2 E=2 W=2	2	Good	A semi-mature Whitebeam that will have to be removed to facilitate the development	C2		Remove. Replace with a Mountain ash
3037	Whitebeam	SM	220	6	N=2 S=2 E=2 W=2	2	Good	A semi-mature Whitebeam that will have to be removed to facilitate the development	C2		Remove. Replace with a Mountain ash
3038	Purple plum	M	280	6	N=2 S=2 E=2 W=2	2	Good	A mature Cherry that will have to be removed to facilitate the development	C2		Remove. Replace with a Mountain ash
3039	Whitebeam	M	320	6	N=2 S=2 E=2 W=2	2	Good	A mature Whitebeam that will have to be removed to facilitate the development	C2		Remove. Replace with a Mountain ash
3040	Whitebeam	SM	280	6	N=2 S=2 E=2 W=2	2	Good	A mature Whitebeam that will have to be removed to facilitate the development	C2		Remove. Replace with a Mountain ash
3041	Purple plum	M	220	4	N=2 S=2 E=2 W=2	2	fair	A mature Cherry that will have to be removed to facilitate the development. This tree is decline and it has suffered basal damage	U		Remove. Replace with a Mountain ash
3042	Whitebeam	SM	300	6	N=3 S=3 E=3 W=3	2	Good	A mature Whitebeam that will have to be removed to facilitate the development	C2		Remove. Replace with a Mountain ash
3043	Whitebeam	M	320	6	N=2 S=2 E=2 W=2	2	Good	A mature Whitebeam that will have to be removed to facilitate the development	C2		Remove. Replace with a Mountain ash
3044	Purple plum	M	220	4	N=2 S=2 E=2 W=2	2	Poor	A mature Cherry that will have to be removed to facilitate the development. This tree is in advanced decline	U		Remove. Replace with a Mountain ash
3045	Whitebeam	M	280	6	N=2 S=2 E=2 W=2	2	Good	A mature Whitebeam that will have to be removed to facilitate the development	C2		Remove. Replace with a Mountain ash
3046	Purple plum	M	220	4	N=2 S=2 E=2 W=2	2	fair	A mature Cherry that will have to be removed to facilitate the development	C2		Remove. Replace with a Mountain ash
3047	Whitebeam	M	300	6	N=3 S=3 E=3 W=3	2	Good	A mature Whitebeam that will have to be removed to facilitate the development	C2		Remove. Replace with a Mountain ash
3048	Purple plum	M	220	5	N=2 S=2 E=2 W=2	2	Good	A mature Cherry that will have to be removed to facilitate the development	C2		Remove. Replace with a Mountain ash
3049	Whitebeam	M	280	6	N=2 S=2 E=2 W=2	2	Good	A mature Whitebeam that will have to be removed to facilitate the development	C2		Remove. Replace with a Mountain ash
3050	Purple plum	M	220	4	N=2 S=2 E=2 W=2	2	Dead	A mature Cherry that will have to be removed to facilitate the development. this tree is dead	C2		Remove. Replace with a Mountain ash
3051	Whitebeam	M	300	6	N=3 S=3 E=3 W=3	2	Good	A mature Whitebeam that will have to be removed to facilitate the development	C2		Remove. Replace with a Mountain ash
3052	Purple plum	SM	180	4	N=2 S=2 E=2 W=2	2	Good	A semi-mature Cherry that will have to be removed to facilitate the development. this tree is dead	C2		Remove. Replace with a Mountain ash
3053	Whitebeam	M	280	6	N=2 S=2 E=2 W=2	2	Good	A mature Whitebeam that will have to be removed to facilitate the development	C2		Remove. Replace with a Mountain ash
3054	Whitebeam	M	280	6	N=2 S=2 E=2 W=2	2	Good	A mature Whitebeam that will have to be removed to facilitate the development	C2		Remove. Replace with a Mountain ash
3055	Purple plum	M	220	4	N=2 S=2 E=2 W=2	2	Dead	A mature Cherry that will have to be removed to facilitate the development. this tree is dead	C2		Remove. Replace with a Mountain ash
3056	<i>Betula jacquemonti</i> x 2 <i>Sorbus aucuparia</i> Mountain ash x 1	SM	200	6	N=1 S=1 E=1 W=1	1	Good	A cluster of three trees, two birch and a mountain ash. These are located in a green area as you approach the Council buildings. These are located in phase 2 of the development	C2	3m	Retain
3057	<i>Quercus petraea</i> Sessile oak	EM	300	8	N=3 S=3 E=3 W=3	2	Good	An early mature oak located in the green area as you approach the Council buildings. A good future tree with long-term potential	B2	4m	Retain
3058	Silver birch x 5	Y	120	3	N=1 S=1 E=1 W=1	0.5	Good	A row of 5 young birch trees displaying good overall condition.	C2	2m	Retain-remove the staking
3059	<i>Quercus robur</i> Common Oak	M	750	22	N=5 S=5 E=5 W=5	3	Good	A large mature Oak located at the entrance to Ard Michael. A fantastic tree with high amenity value. Located in phase 2. This tree must be retained	A2	5m	Retain
3060	<i>Acer platanoides</i> 'Crimson king' Norway maple	SM	220	6	N=2 S=2 E=2 W=2	2	Good	A semi-mature maple located at the entrance to Ard Michael. Displaying a good overall condition and it is appropriate for its location	B2	3m	Retain
3061	<i>Tilia x europaea</i> Common Lime	M	320	8	N=3 S=3 E=3 W=3	1	Good	A mature lime displaying a good overall condition located in a fenced area at the entrance of Ard Michael	B2	4m	Retain

Rev.	Date	Description

Legend:

Category (A, A1, A2, A3) **Category (C, C1, C2, C3)**
 Those of high quality and value in such a condition as to be able to make a substantial contribution (a minimum of 40 years)
 Those of low quality and value; currently in adequate condition to remain until new planting could be established (a minimum of 10 years) or young trees with a stem diameter below 150mm

Category (B, B1, B2, B3) **Category (U)**
 Those of moderate quality and value; in such a condition as to make a significant contribution (a minimum of 20 years)
 Those in such condition that any existing value would be lost within 10 years and which should, in the current context, be removed for reason of sound abiotic/cultural management

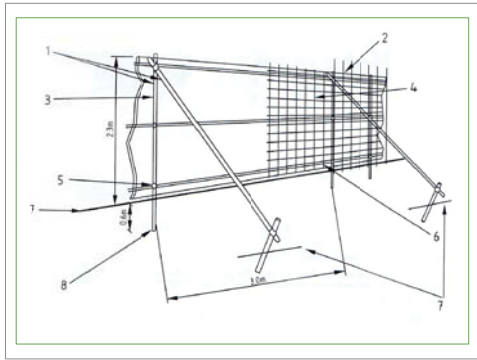


AGE GROUPINGS

Y = YOUNG
 MA = MIDDLE AGE
 M = MATURE
 OM = OVER MATURE
 V = VETERAN

- EXISTING TREE CANOPY BASED ON DIMENSIONS GATHERED ON SITE IN 4 DIRECTIONS, NORTH, SOUTH, EAST AND WEST
- ROOT PROTECTION ZONE BASED ON 12 TIMES THE (DBH) AT CHEST HEIGHT
- TREE TAG NUMBER
- TREE TO BE RETAINED
- TREE TO BE REMOVED
- TREE CATEGORY BASED ON BS:5837 2012 CRITERIA
- DECIDUOUS TREE CANOPY
- EVERGREEN TREE CANOPY

01 TABLES BS 5837-2012



The above displays an example of a suitable protective barrier as recommended by BS. 5837 2012 *Trees in Relation to Construction*

- Standard scaffold poles
- Uprights to be driven into the ground
- Panels secured to uprights with wire ties and where necessary standard scaffold poles
- Weld mesh wired to the uprights and horizontals
- Standard clamps
- Wire twisted and secured on the inside of fencing to avoid easy dismantling
- Ground level
- Approx. 0.6m driven into the ground

Client: Longford County Council

Project: Tree inventory Major's Well Road

Drawing Title: Tree survey

Drawn By: MW Checked By: MG Date: 22/06/18 Scale: 1:600@A1

Drg. No. MPLR-TS-001 CAD File: FTM15_200.DWG Issued For: Information Rev. -

Arbor Care Unit 1a Crossagalla Enterprise Centre Ballysimon Road Limerick Ireland

Phone: +353 (0)863082808 Fax: +353 (0)61400321 Email: info@arborcare.ie Web: www.arborcare.ie