

300 CONC

EXISTING GAA PITCH

Cnoc Mhuire

PROPOSED STEPPED ACCESS

PROPOSED BUS PARKING AREA

PROPOSED ACCESS ROAD

EXISTING ENTRANCE





BARRACK STREET

EXISTING SCHOOL ACCESS GATES




PROPOSED SURFACE WATER TO DISCHARGE INTO THE EXISTING SURFACE WATER MANHOLE AT THIS LOCATION




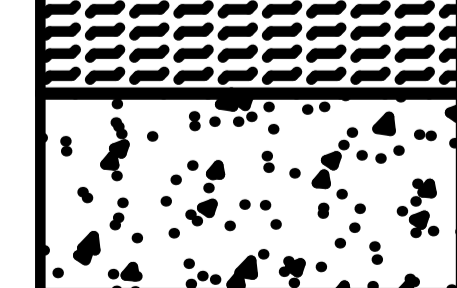
Health Centre

LEGEND:

-  Carparking Area to be Surfaced
-  Type A High Kerb
-  Type B Drop Kerb
-  Type 3 Road Drain Channel or Similar ACCO Channel

SERVICES LEGEND:

-  SURFACE DRAINAGE PIPE
-  SURFACE WATER GULLY
-  LIGHTING POLE

-  40mm SMA
-  60mm DBM Basecourse
-  100mm Clause 804
-  Hardcore as required

PROPOSED BUS PARKING AREA SURFACE CONSTRUCTION SPECIFICATION

Extent of Site Outlined in RED
Area of Site = 0.192 HA (0.474 Acres)

ORDNANCE SURVEY MAP
REFERENCE NUMBER
- 2296-D & 2359-A -

Copyright Acknowledgements
Includes Ordnance Survey Ireland data reproduced under OSI
Licence Number NMA/01/19/LongfordCountyCouncil. Unauthorised Reproduction
infringes Ordnance Survey Ireland and Government of Ireland Copyright.
© Ordnance Survey Ireland, 2020

**Cnoc Mhuire Bus Parking Facility
Site Layout**

Scale: 1:100 @ A1, 1:200 @ A3