

Description:

Lisryan Community Walk

Drawing Title:

Bridge  
Plan

Part VIII -  
Planning Purposes Only

Scale @ A4:

1:50

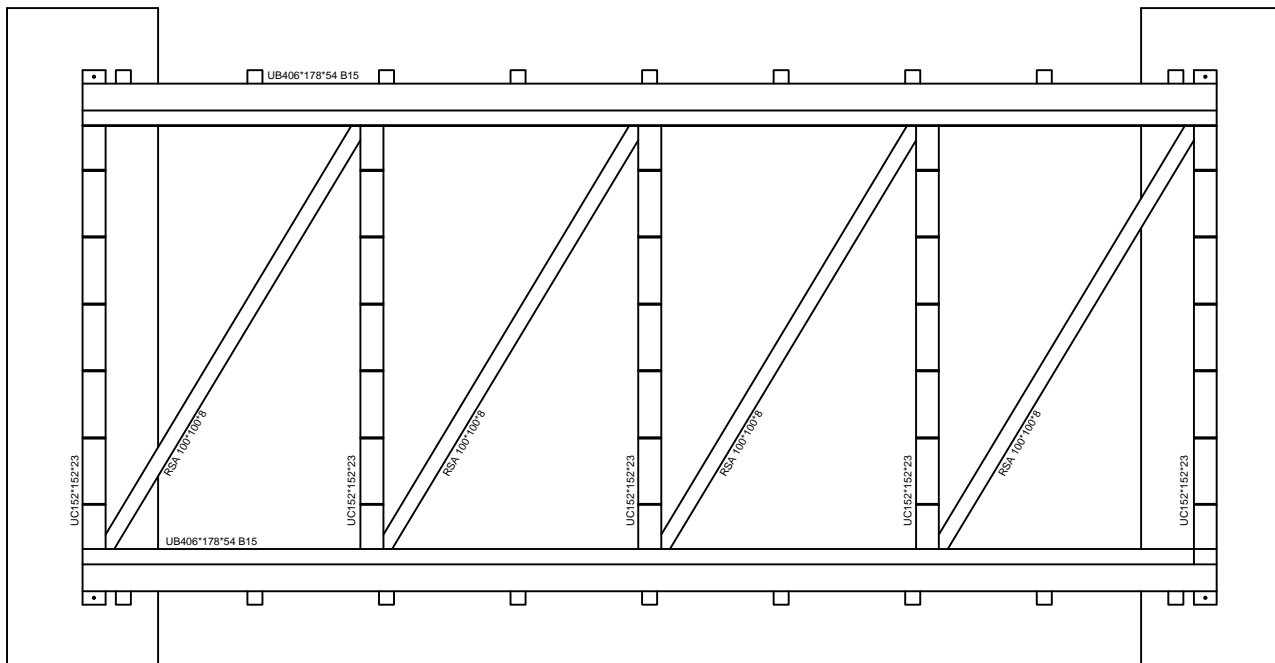
Date:

March 2022

Drawing No.:

Drawn By: RS

Checked By: GS



CLEAR SPAN PLAN

Authority: