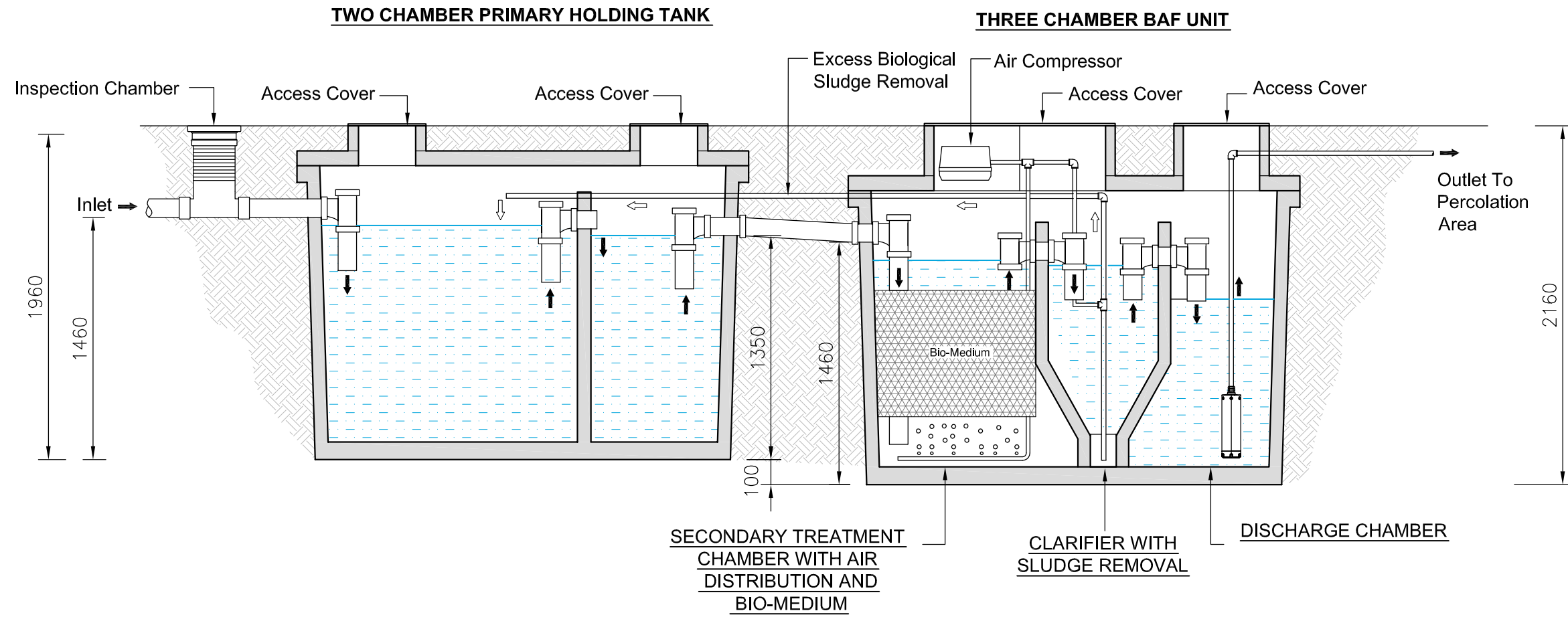
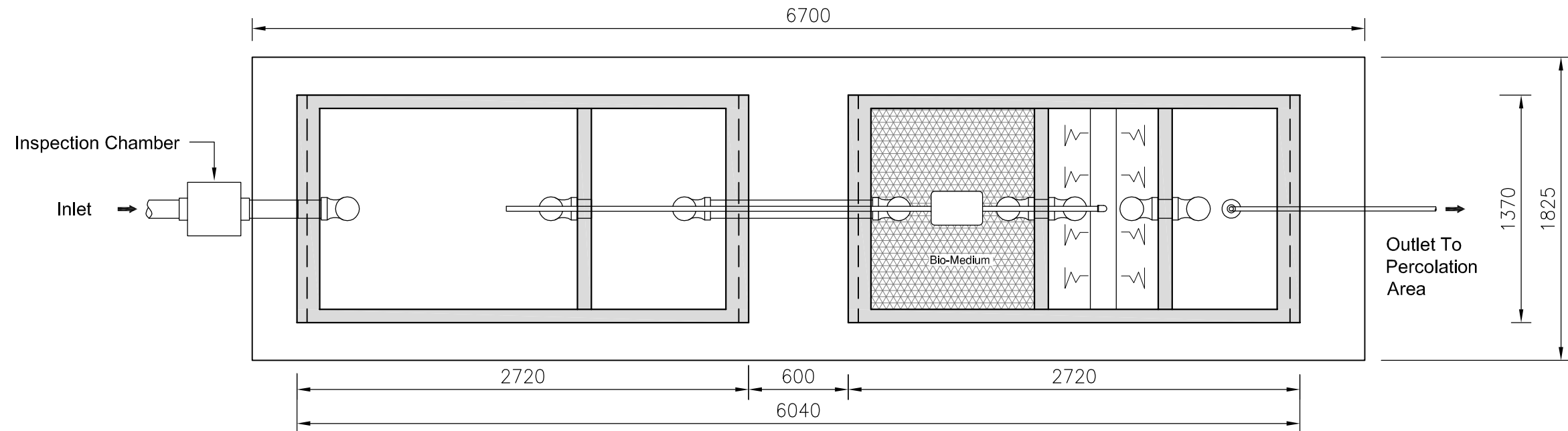


10PE BAF SYSTEM



Sectional Elevation



Plan View

PROJECT:	
TITLE: 10PE BAF SYSTEM	
DRAWN:	CHECKED:



O' REILLY OAKSTOWN ENVIRONMENTAL LTD.
BAF - WASTEWATER TREATMENT SYSTEMS



O'REILLY OAKSTOWN
TRIM, Co.MEATH
Email: info@oreillyoakstown.com
Tel:(046)9431389 Fax:(046)9437054



SCALE:	DWG NO:	REV:	DATE:
N.T.S.	OAKS 109	2	16/03/15