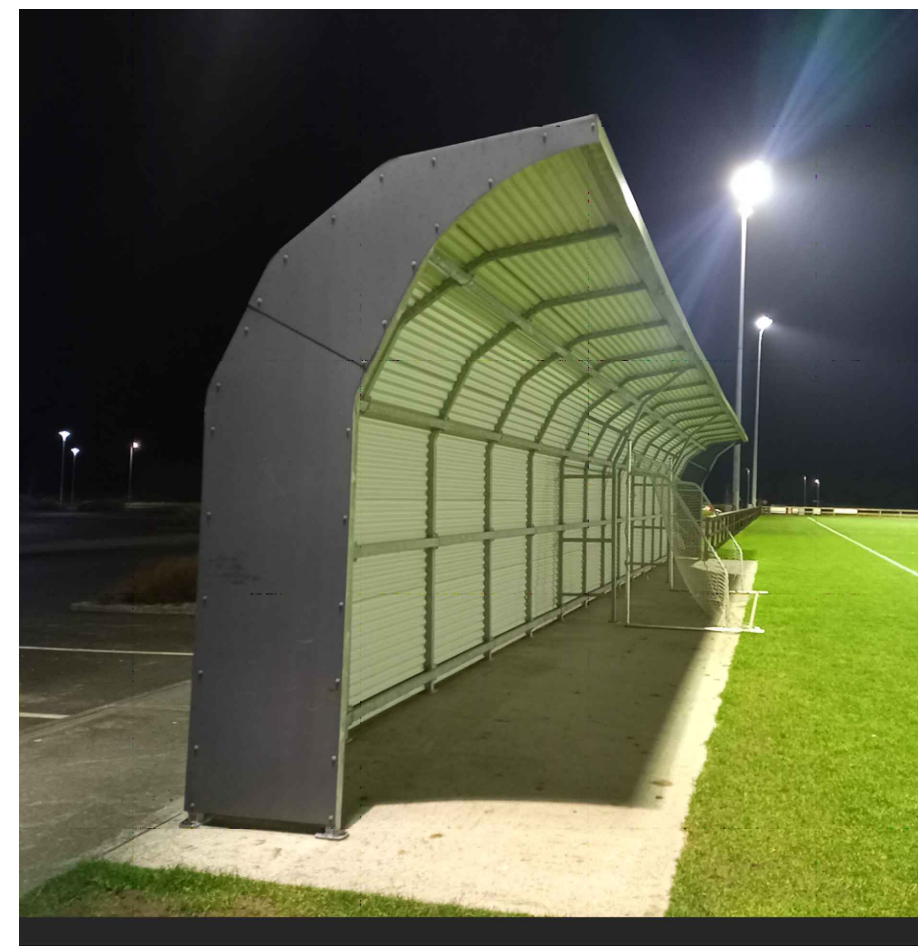
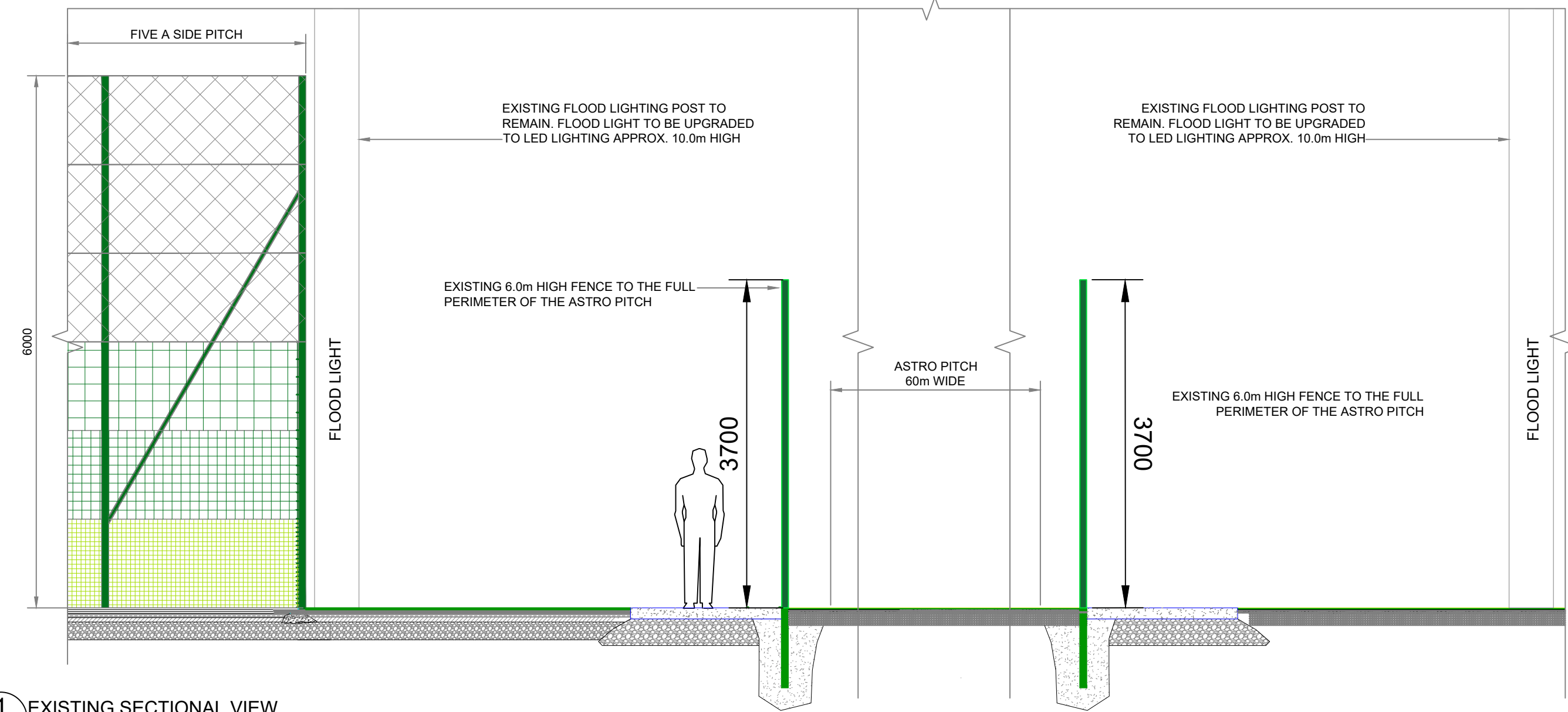


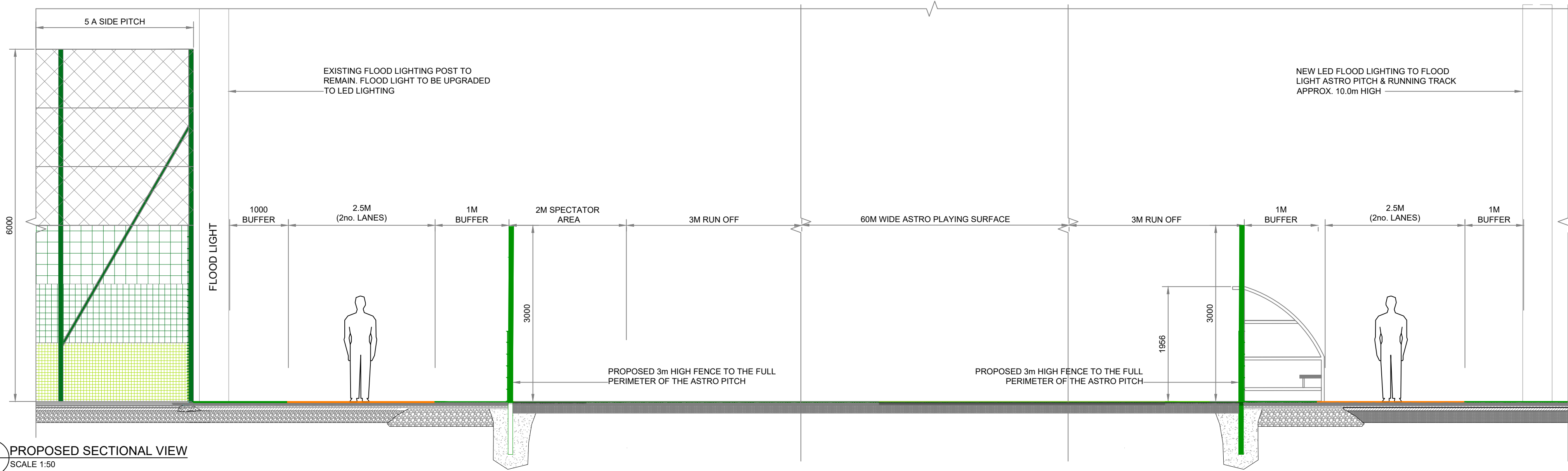
SIDE ELEVATION



SPECTATOR SHELTER

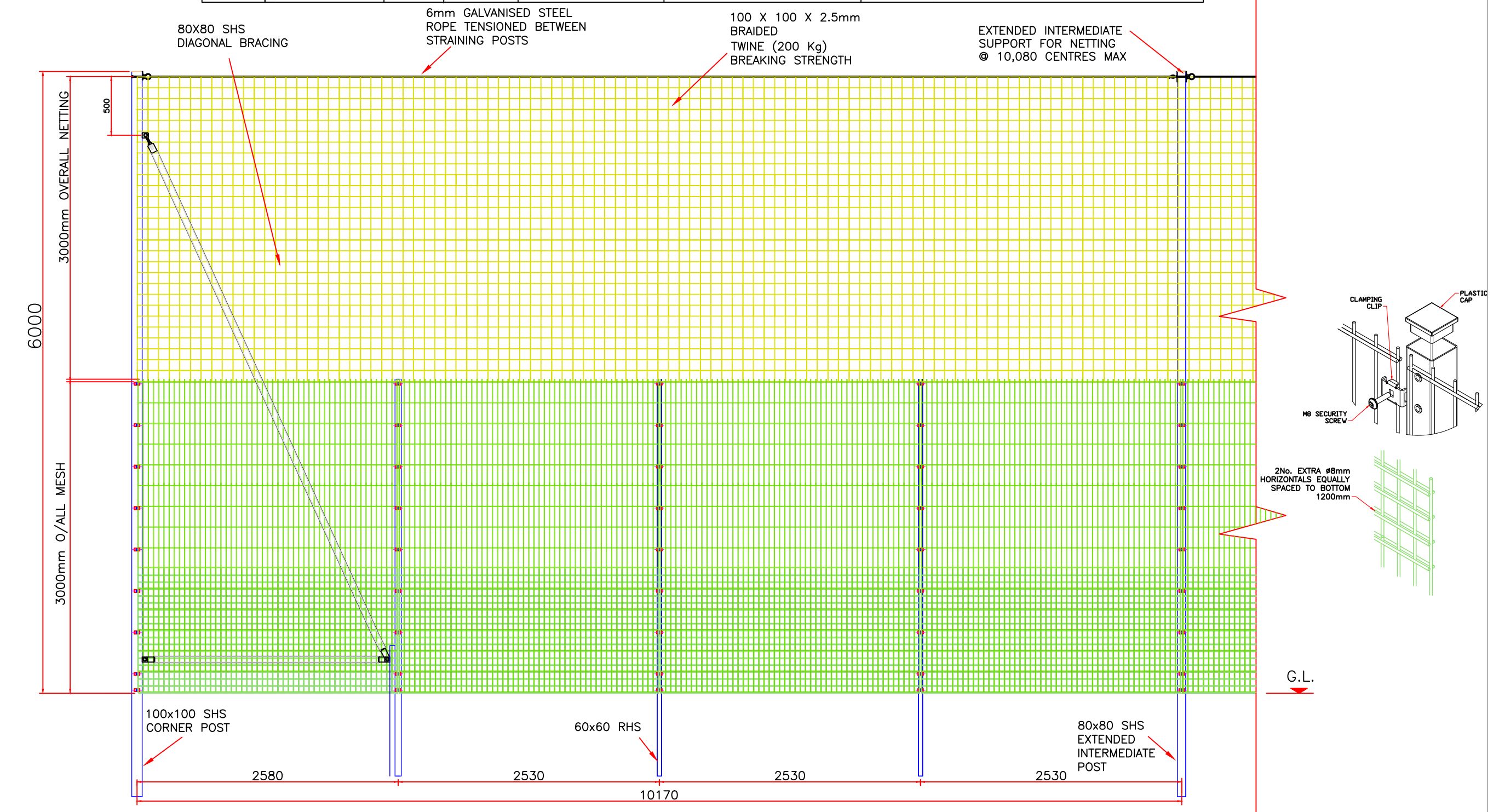


1 EXISTING SECTIONAL VIEW
SCALE 1:50

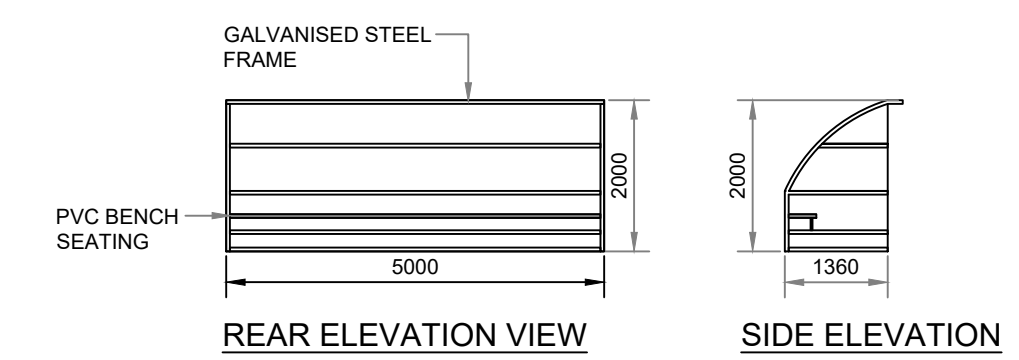
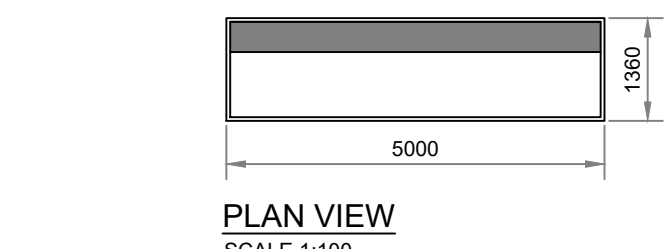
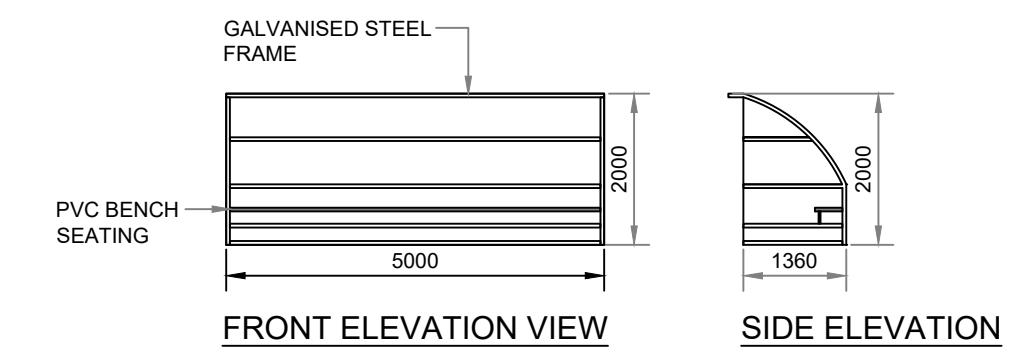


1 PROPOSED SECTIONAL VIEW
SCALE 1:50

| | | | | | | |
|-------------------------------------|--|----------------------------|----------------------------------|---|---|--|
| Product Code B04-3-868-60 | Post Size (mm) Intermediate Posts 60 x 60 Corner Posts 100 x 100 Extended intermediate posts 80 x 80 | Height (mm) 6000 | Post Centres (mm) 2530 | Notes: All size panels Vertical Wires Ø6mm Horizontal Wires Ø8mm Vertical Centres 50mm Aperture 50mm x 200mm | NETTING NOTES Netting Available with apertures of 25mm x 25mm 50mm x 50mm 100mm x 100mm | NETTING NOTES 25mm x 25mm suitable for applications such as golf, hockey, cricket, baseball etc. 100mm x 100mm for applications such as gaelic football and soccer Netting secured using 7.6mm heavy duty cable ties @ 200 c/c |
|-------------------------------------|--|----------------------------|----------------------------------|---|---|--|



COMBO NETTING SYSTEM BEHIND GOALS



DUG OUT SHELTER 1 & 2 DETAILS
SCALE 1:100

- OS MAP NUMBER : 2295 -A , 2295-B, 2295-7, 2295-12 & 2295-13
- THIS DRAWING TO BE READ IN CONJUNCTION WITH ALL OTHER ARCHITECTURAL AND ENGINEERING DRAWINGS AND ALL OTHER RELEVANT DRAWINGS AND SPECIFICATIONS.
- DO NOT SCALE THIS DRAWING USE FIGURED DIMENSIONS ONLY.
- NO PART OF THIS DOCUMENT MAY BE REPRODUCED OR TRANSMITTED IN ANY FORM OR STORED IN ANY RETRIEVAL SYSTEM OF ANY NATURE WITHOUT THE WRITTEN PERMISSION OF LONGFORD COUNTY COUNCIL AS COPYRIGHT HOLDER EXCEPT AS AGREED FOR USE ON THE PROJECT FOR WHICH THE DOCUMENT WAS ORIGINALLY ISSUED.

| Rev. No. | Date | Revision Notes | Dm. by | Chkd. by |
|----------|------|----------------|--------|----------|
| | | | | |
| | | | | |
| | | | | |
| | | | | |



Copyright Acknowledgements includes Ordnance Survey Ireland data reproduced under OSI License Number 2023/OSI NMA 145 Longford County Council.

Drawing File Location Q:\Regeneration Section\01 Projects\01 URDF\Camlin Quarter 2020\5 Part 8 Planning\5.2 Mall Outdoor Facilities Upgrade\5.1.5 Drawings\02-04 - SITE LAYOUTS.dwg

COMHAIRLE CHONTAE LONGFOIRT

Longford County Council

GREAT WATER STREET
LONGFORD
Tel. (043) 3343300

| | | | |
|--|------------------|-------------------|--|
| Client : LONGFORD COUNTY COUNCIL | | | |
| Project : MALL OUTDOOR FACILITIES UPGRADE | | | |
| Project Address : THE MALL, TEMPLEMICHAEL, ABBEYCARTON, LONGFORD | | | |
| Title : SECTIONS & DETAILS | | | |
| Drawing No: MALLASTRO-2023_03 | Revision: 00 | | |
| Scale: 1:100/1:50 @ A1 | Date: 01/03/2024 | Status: PART VIII | |
| Drawn by: PK | Checked: ADK | Approved: ADK | |