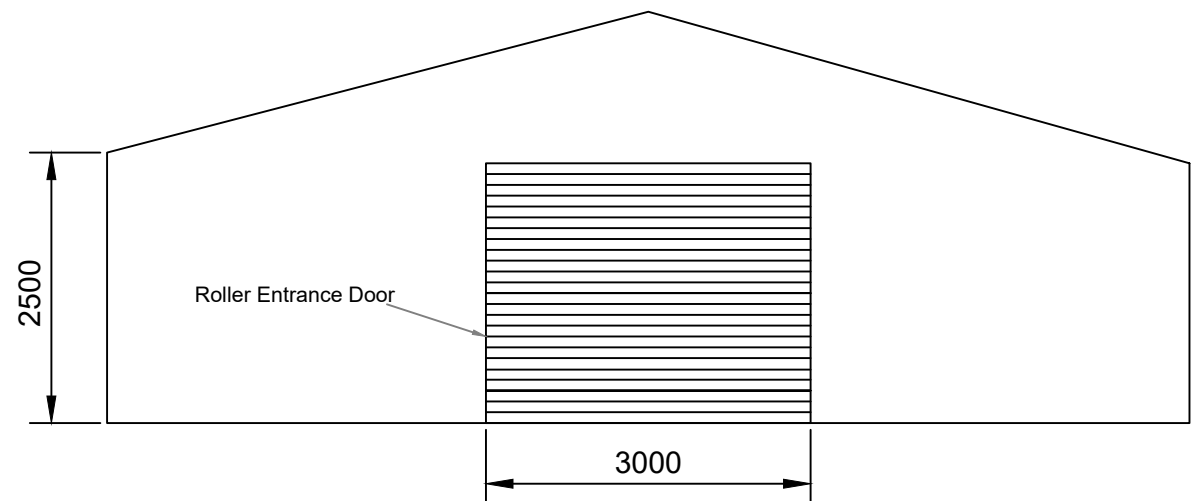
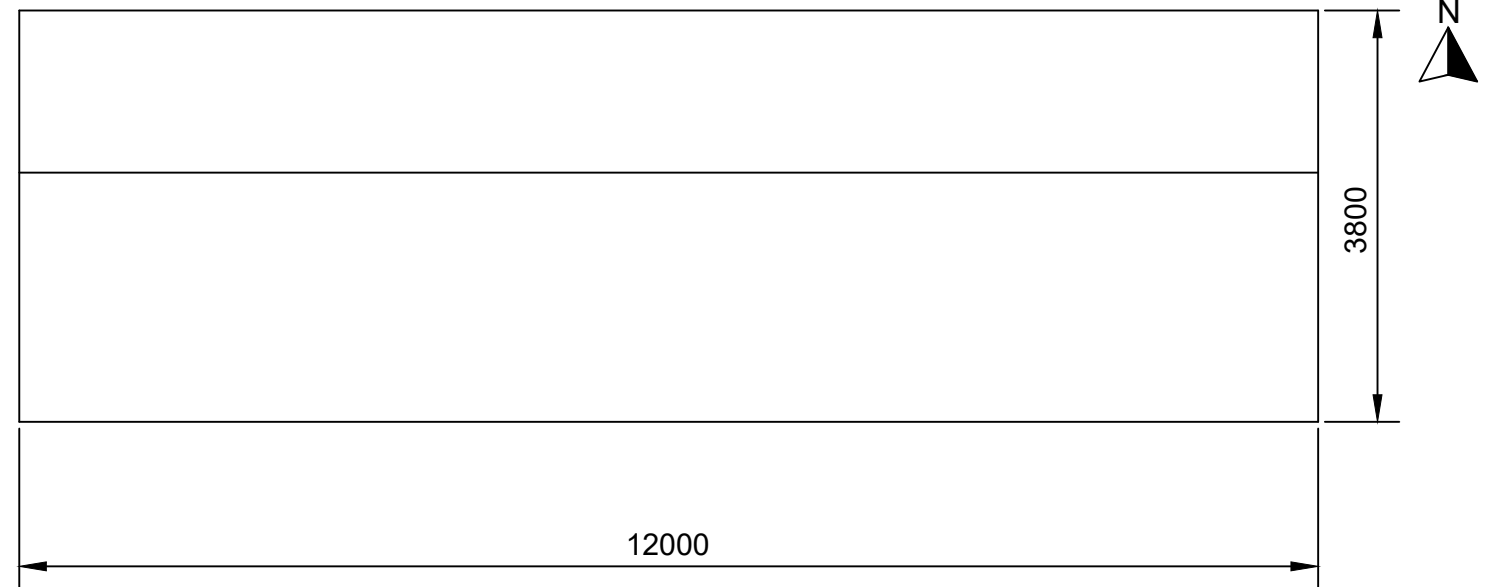


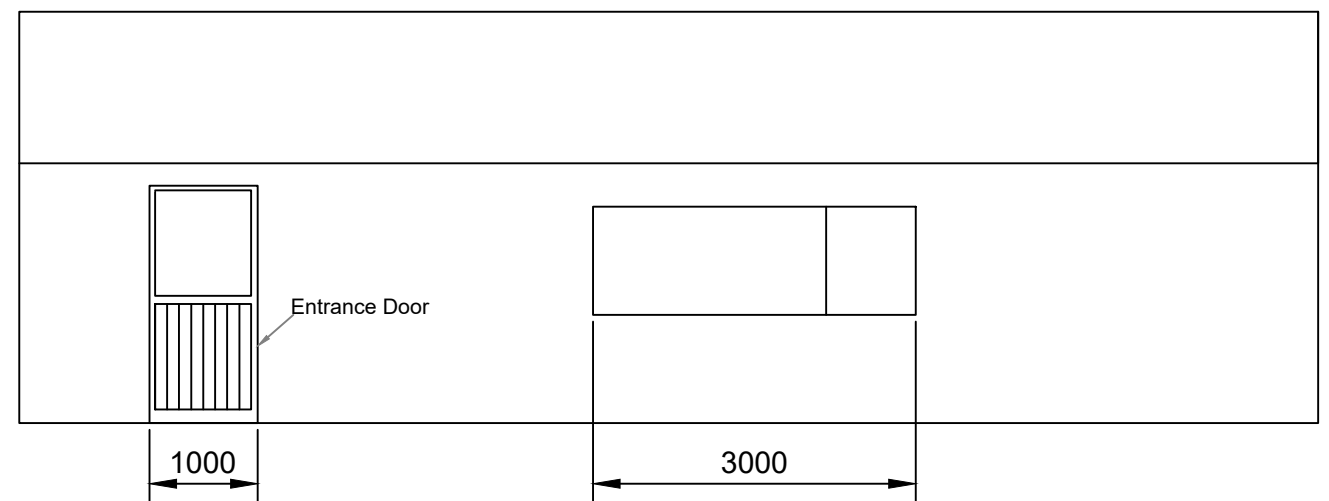
SIDE ELEVATION



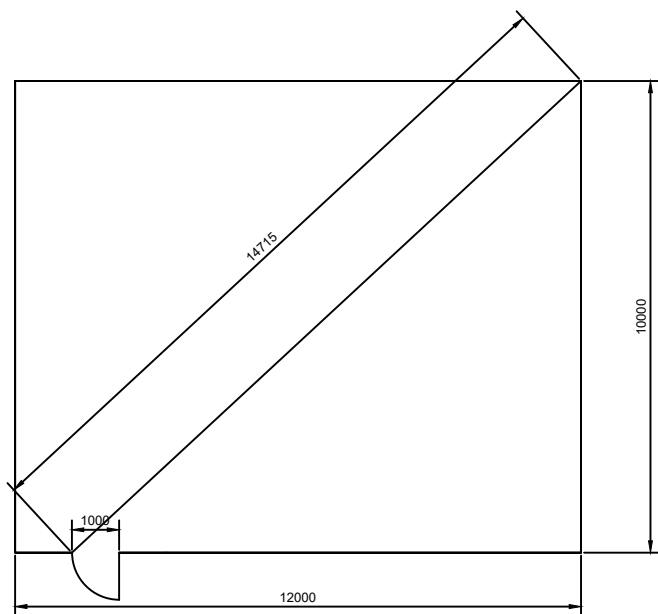
SIDE ELEVATION



REAR ELEVATION VIEW



FRONT ELEVATION VIEW



FLOOR PLAN



- OS MAP NUMBER : 2295 -A , 2295-B, 2295-7, 2295-12 & 2295-13
- THIS DRAWING TO BE READ IN CONJUNCTION WITH ALL OTHER ARCHITECTURAL AND ENGINEERING DRAWINGS AND ALL OTHER RELEVANT DRAWINGS AND SPECIFICATIONS.
- DO NOT SCALE THIS DRAWING USE FIGURED DIMENSIONS ONLY.
- NO PART OF THIS DOCUMENT MAY BE REPRODUCED OR TRANSMITTED IN ANY FORM OR STORED IN ANY RETRIEVAL SYSTEM OF ANY NATURE WITHOUT THE WRITTEN PERMISSION OF LONGFORD COUNTY COUNCIL AS COPYRIGHT HOLDER EXCEPT AS AGREED FOR USE ON THE PROJECT FOR WHICH THE DOCUMENT WAS ORIGINALLY ISSUED.

Rev. No.	Date	Revision Notes	Drn. by	Chkd. by



Copyright Acknowledgements includes
 Ordnance Survey Ireland data
 reproduced under OSI License
 Number 2023/OSI/NMA 145
 Longford County Council.
 Drawing File Location
 Q:\Regeneration Section\01 Projects\01
 URDF\Camlin Quarter 2020\5 Part 8
 Planning\5.2 Mall Outdoor Facilities
 Upgrade\5.1.5 Drawings\02-04 - SITE
 LAYOUTS.dwg

COMHAIRLE CHONTAE LONGFOIRT
 Longford County Council
 GREAT WATER STREET
 LONGFORD
 Tel. (043) 3343300

Client : LONGFORD COUNTY COUNCIL			
Project : MALL OUTDOOR FACILITIES UPGRADE			
Project Address : THE MALL, TEMPLEMICHAEL, ABBEYCARTRON, LONGFORD			
Title : STRENGTH AND CONDITIONING STUDIO			
Drawing No: MALLASTRO-2023_05	Revision: 00		
Scale: 1: 1000 @ A3	Date: 01/03/2024	Status: PART VIII	
Drawn by: PK	Checked: ADK	Approved: ADK	